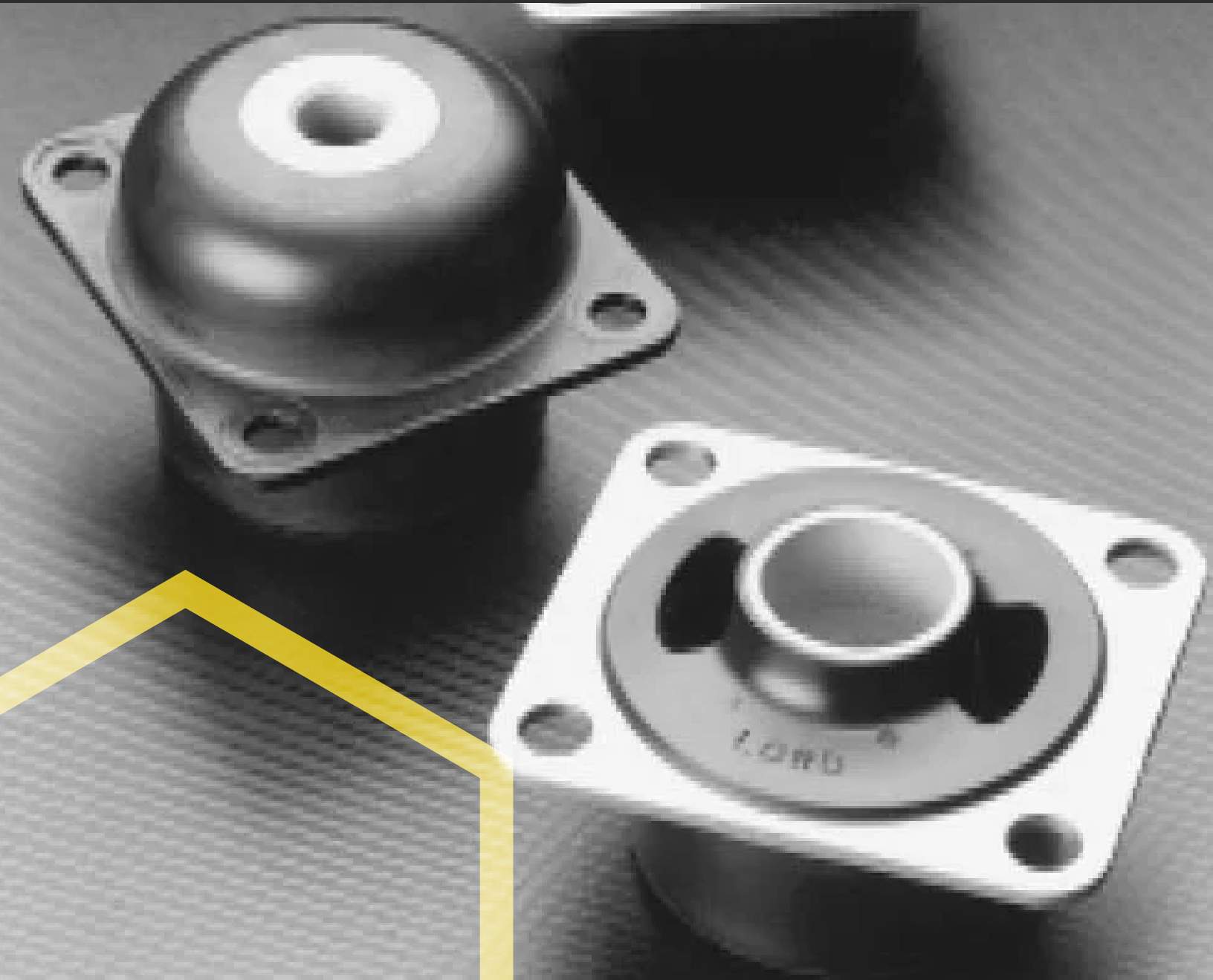


CONICAL MOUNTS



Conical Mounts

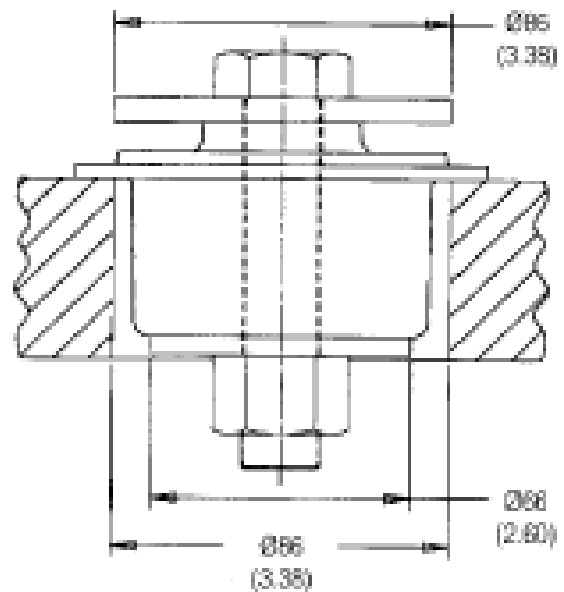
Conical mounts from Lord Corporation provide effective vibration isolation and noise attenuation with a simple, robust mount design. Consistent performance, high load bearing capabilities and a choice of radial stiffness characteristics are key features of these mounts.

For more demanding vibration and noise reduction requirements, Lord integrates conical mounts with surface-effect technology to form an advanced control solution known as Hystec™ Systems.

Conical mounts are appropriate for both on-road and off-road vehicles. Applications include cab mounts and engine and transmission mounts for trucks and buses, and construction and agricultural vehicles.

The mounts:

- Provide strong, dependable performance
- Have a typical static deflection of 5mm
- Offer a choice of radial stiffnesses
- Can be snubbed
- Can be safetied with the use of snubbing washers
- Withstand R.O.P.S. loads with the addition of support rings
- Are easily installed
- Exhibit long, highly reliable service life



Conical Mounts

Part Number	Durometer Shore A	Rated Axial Static Load kN (lbs)	Rated Axial Static Defl'n mm (inch)	Axial Static Stiffness N/mm (lb/in)	Axial Dyn Stiffness ① N/mm (lb/in)	Radial R1 Static Stiffness N/mm(lb/in)	Rated R2 Static Stiffness N/mm(lb/in)	Recommended Bolt Information			
								Size		Grade or Class	
								English	Metric	SAE J429	SAE J1199
J-21100-9	35	1.67 (375)	5.0 (0.20)	210 (1200)	215 (1230)	800 (4570)	800 (4570)	3/4	M20	**	**
J-21100-1	40	2.4 (540)	5.0 (0.20)	310 (1770)	340 (1945)	1200 (6855)	1200 (6855)	3/4	M20	**	**
J-21100-4	45	3.2 (720)	5.0 (0.20)	400 (2285)	470 (2690)	1600 (9140)	1600 (9140)	3/4	M20	**	**
J-21100-5	50	3.9 (880)	5.0 (0.20)	500 (2860)	600 (3430)	2000 (11420)	2000 (11420)	3/4	M20	**	**
J-21100-10	55	4.6 (1040)	5.0 (0.20)	590 (3370)	725 (4140)	2400 (13700)	2400 (13700)	3/4	M20	**	**
J-21100-11	60	5.3 (1200)	5.0 (0.20)	690 (3950)	850 (4855)	2800 (16000)	2800 (16000)	3/4	M20	**	**
J-21102-1	40	1.3 (300)	5.0 (0.20)	190 (1085)	210 (1200)	960 (5485)	960 (5485)	3/4	M20	**	**
J-21103-1	40	1.1 (250)	5.0 (0.20)	150 (860)	160 (915)	850 (4855)	400 (2285)	3/4	M20	**	**
J-21104-1	40	0.82 (185)	5.0 (0.20)	110 (630)	120 (685)	600 (3430)	300 (1720)	3/4	M20	**	**
J-21105-1	40	1.1 (250)	5.0 (0.20)	150 (860)	160 (915)	850 (4855)	400 (2285)	3/4	M20	**	**
J-21108-1	40	1.3 (300)	5.0 (0.20)	190 (1085)	210 (1200)	960 (5485)	960 (5485)	5/8	M16	5*	9.8*
J-21109-1	40	1.1 (250)	5.0 (0.20)	150 (860)	160 (915)	850 (4855)	400 (2285)	5/8	M16	5*	9.8*
J-21110-1	40	1.3 (300)	5.0 (0.20)	190 (1085)	210 (1200)	960 (5485)	960 (5485)	3/4	M20	**	**
J-21111-1	40	0.82 (185)	5.0 (0.20)	110 (630)	120 (685)	600 (3430)	300 (1720)	3/4	M20	**	**
J-21159-3	46	5.34 (1200)	7.6 (0.30)	668 (3812)	823 (4700)②	2270 (12970)	2270 (12970)	7/8	M20	8*	10.9*
J-21159-4	58	8.9 (2000)	7.6 (0.30)	983 (5613)	2030(11600)②	3877 (22140)	3877 (22140)	7/8	M20	8*	10.9*
J-21212-1③	61	1.05 (240)	3.6 (.142)	207 (1180)	254 (1450)	462 (2640)	462 (2640)	3/8	M10	2*	5.8*

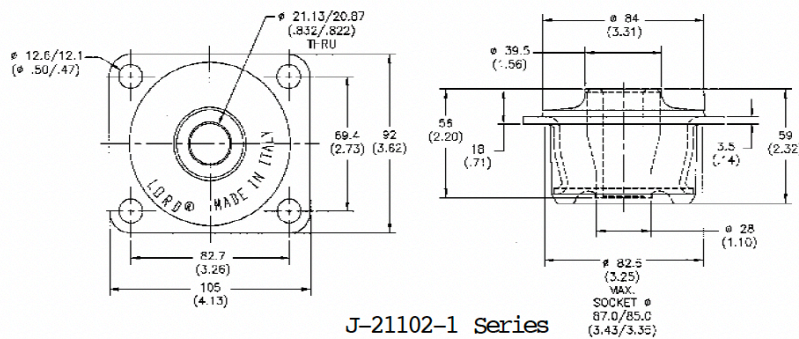
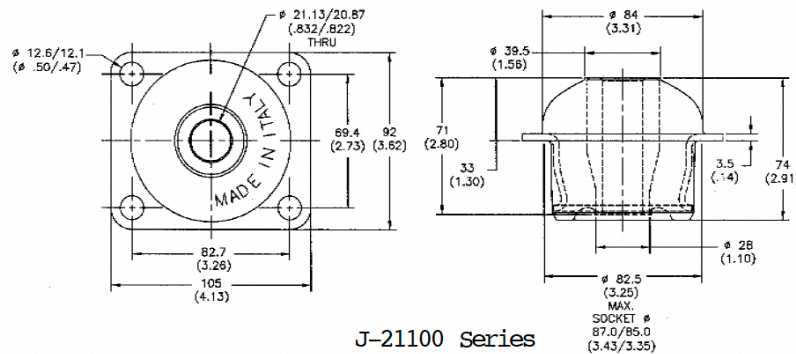
* For tightening torque information, see Pp. 121 and 122.

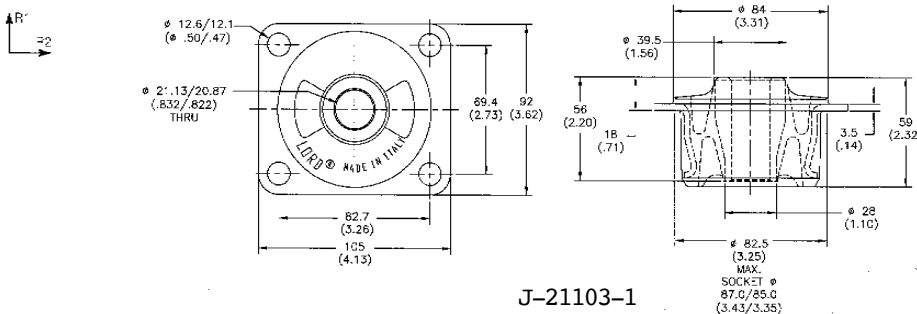
** Tightening torque 3/4 bolt = 320 lb-ft, M20 bolt = 430 N-m dry.

① Data at Axial Rated Static Load, with input + 0.3 mm (0.01 in.) at 5.0 Hz.

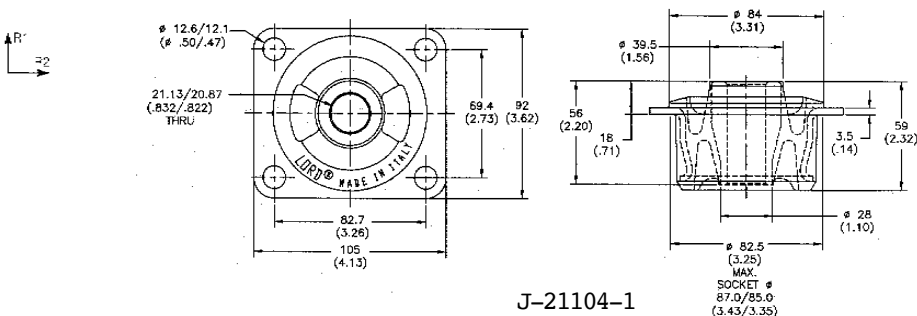
② Data at Axial Load and Dynamic Axial Motion of +/- 0.5 mm.

③ Other parts available in this series, contact Lord Corporation.

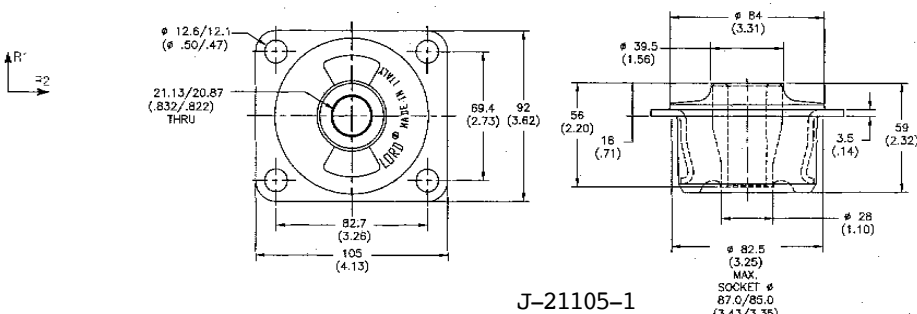




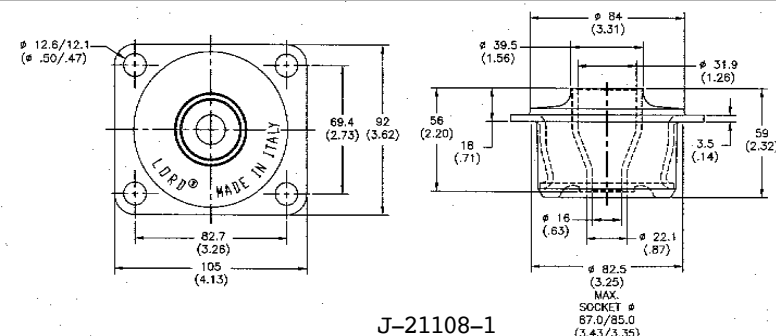
J-21103-1



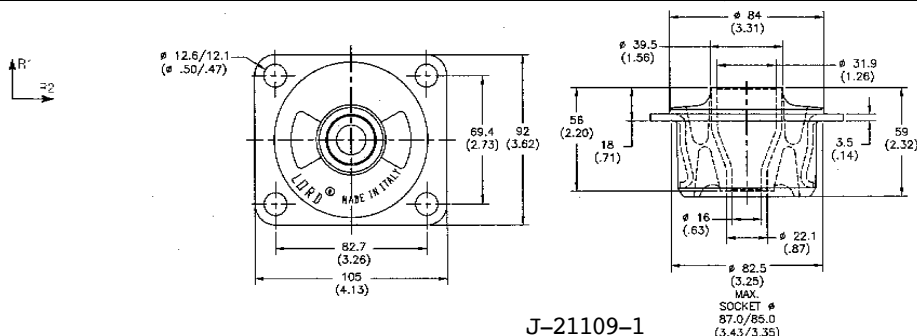
J-21104-1



J-21105-1

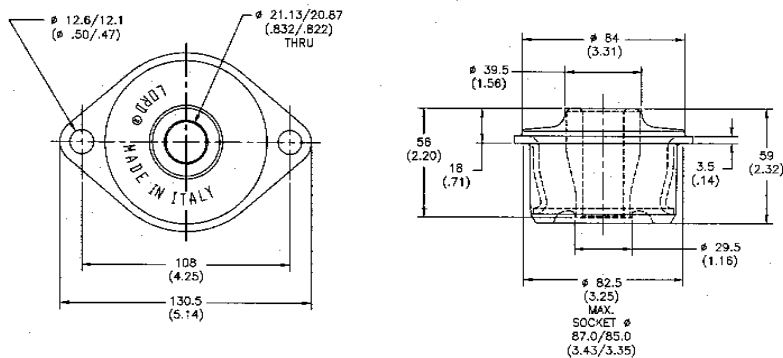


J-21108-1

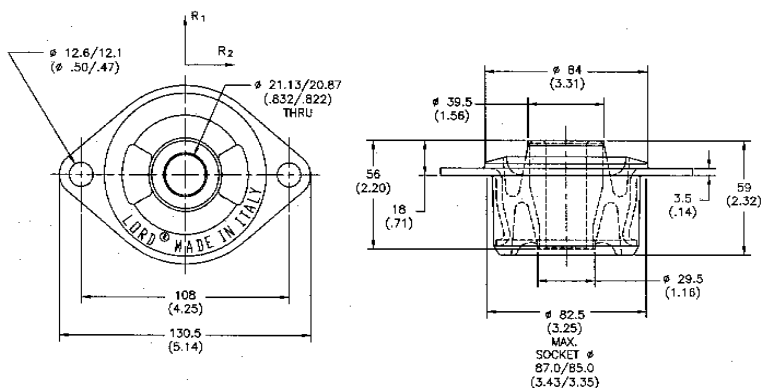


J-21109-1

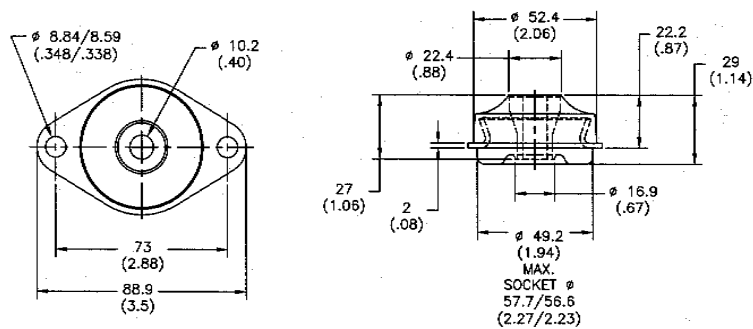
Not all versions feature cores. Parts are available in other Durometers with variations in Axial Static Load and Static Stiffness.



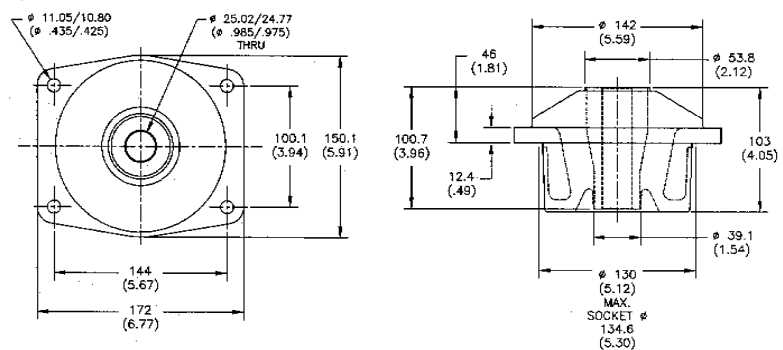
J-21110-1 Series



J-21111-1 Series



J-21112-1 Series



J-21159 Series